

Dealer Name: _____

Dealer P/O # _____

Facility Name: _____

A9500 - A9511 Series

Order # _____

Job # _____



PROTEAM™
by HAUSMANN

LAMINATE COLOR:

- 346 Natural Oak
- 927 Folkstone Gray
- 5904 Wild Cherry
- Other: _____

VINYL COLOR:

- 718 Navy Blue
- 722 Dove Gray
- 723 Forest Green
- 724 Deep Wine
- 725 Black
- 726 American Beauty
- 728 Claret
- 729 Royal Blue
- 731 Regimental Blue
- Other: _____

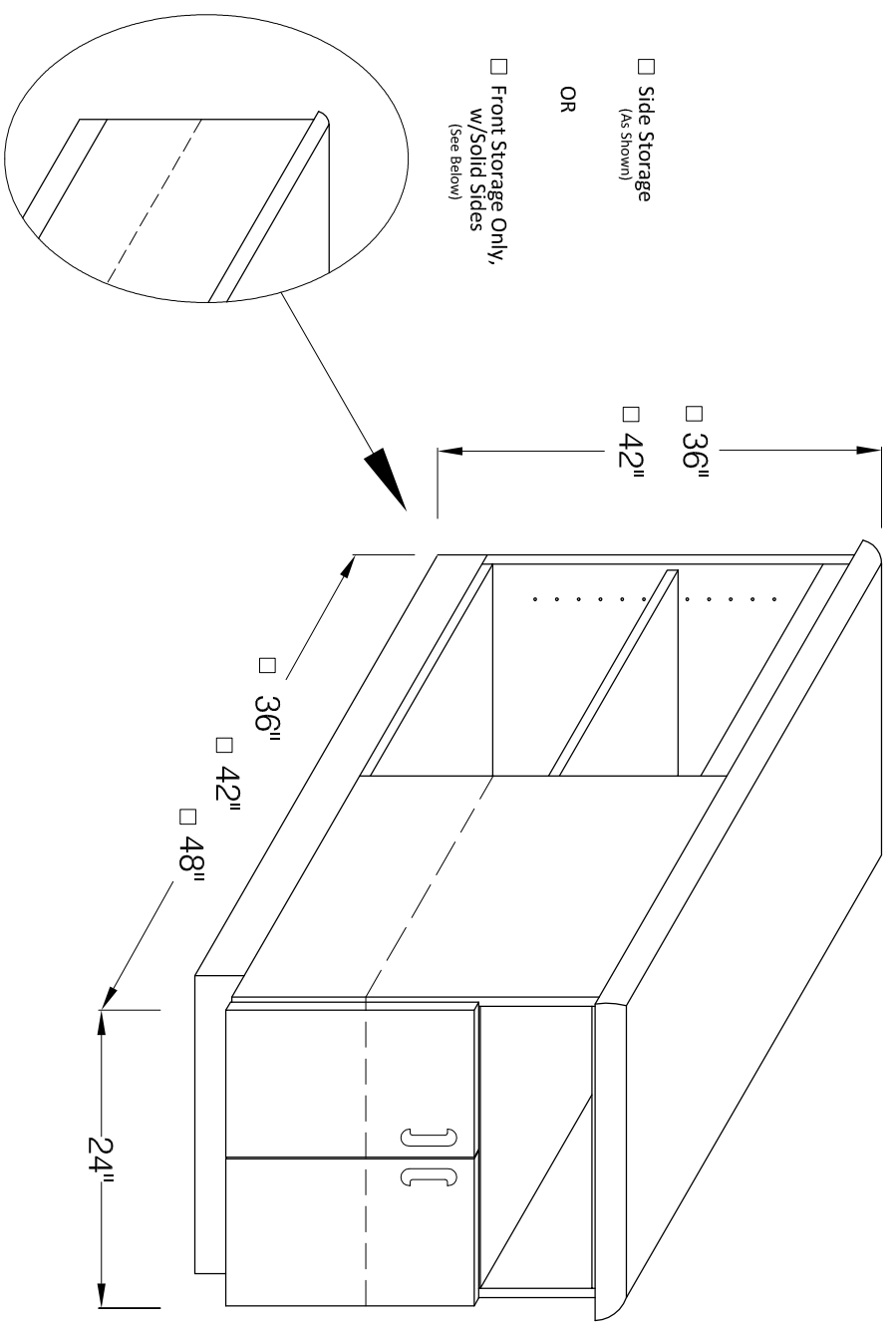
OPTIONS:

(Mark on Drawing Where Required)

- | | | | |
|--|------------|--|------------|
| <input type="checkbox"/> A914 Extra Drawer | Qty. _____ | <input type="checkbox"/> A945 Lock (Side Access Doors or Drawers Only) | Qty. _____ |
| <input type="checkbox"/> A918 Full Extension Pull-Out | _____ | <input type="checkbox"/> A946 Lock / Bolt (Double Doors Only) | _____ |
| <input type="checkbox"/> A923 3 Drawers (in lieu of Doors) | _____ | <input type="checkbox"/> A947 Wire Pull, Satin Finish | _____ |
| <input type="checkbox"/> A941 Laminate Top | _____ | <input type="checkbox"/> A927 Front Pull-Out Stand & Drawer | _____ |
| <input type="checkbox"/> A943 Hinged Side Access Door | _____ | <input type="checkbox"/> A929 Side Pull Out Stand | _____ |
| <input type="checkbox"/> A944 Full Height Doors | _____ | <input type="checkbox"/> A9250 Wall Pad, 24" x 24" | _____ |

LOGO:

- A902 Deboss Vinyl
- A904-8 Emboss Vinyl
- A911 Laminate Wall Plate
- A912 Laminate Storage Top



- Side Storage (As Shown)
- OR
- Front Storage Only, w/Solid Sides (See Below)